

1/4

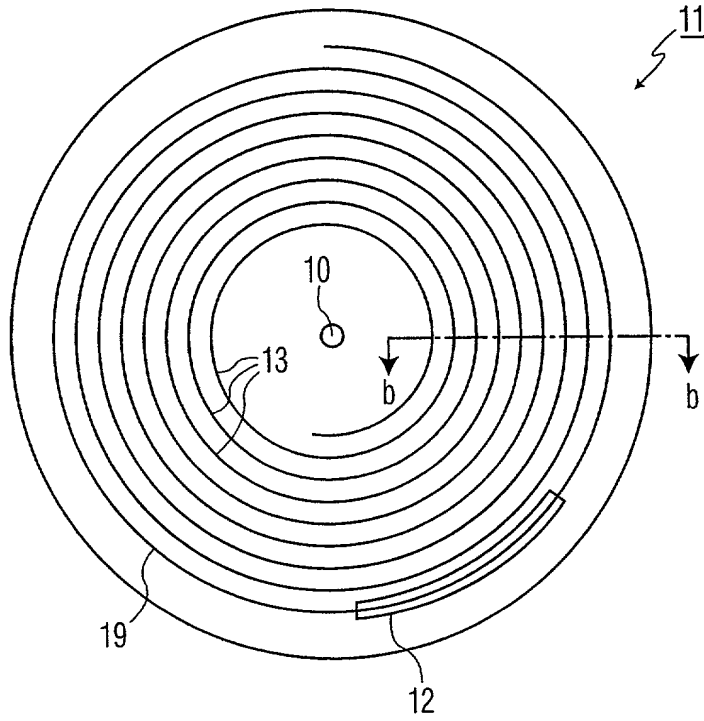


FIG. 1a

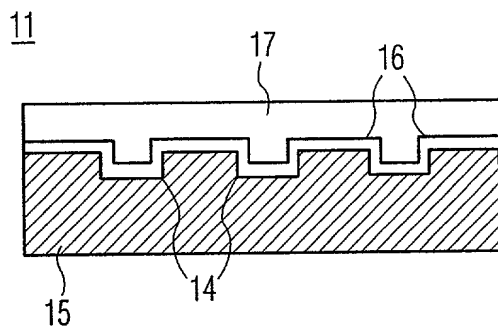


FIG. 1b

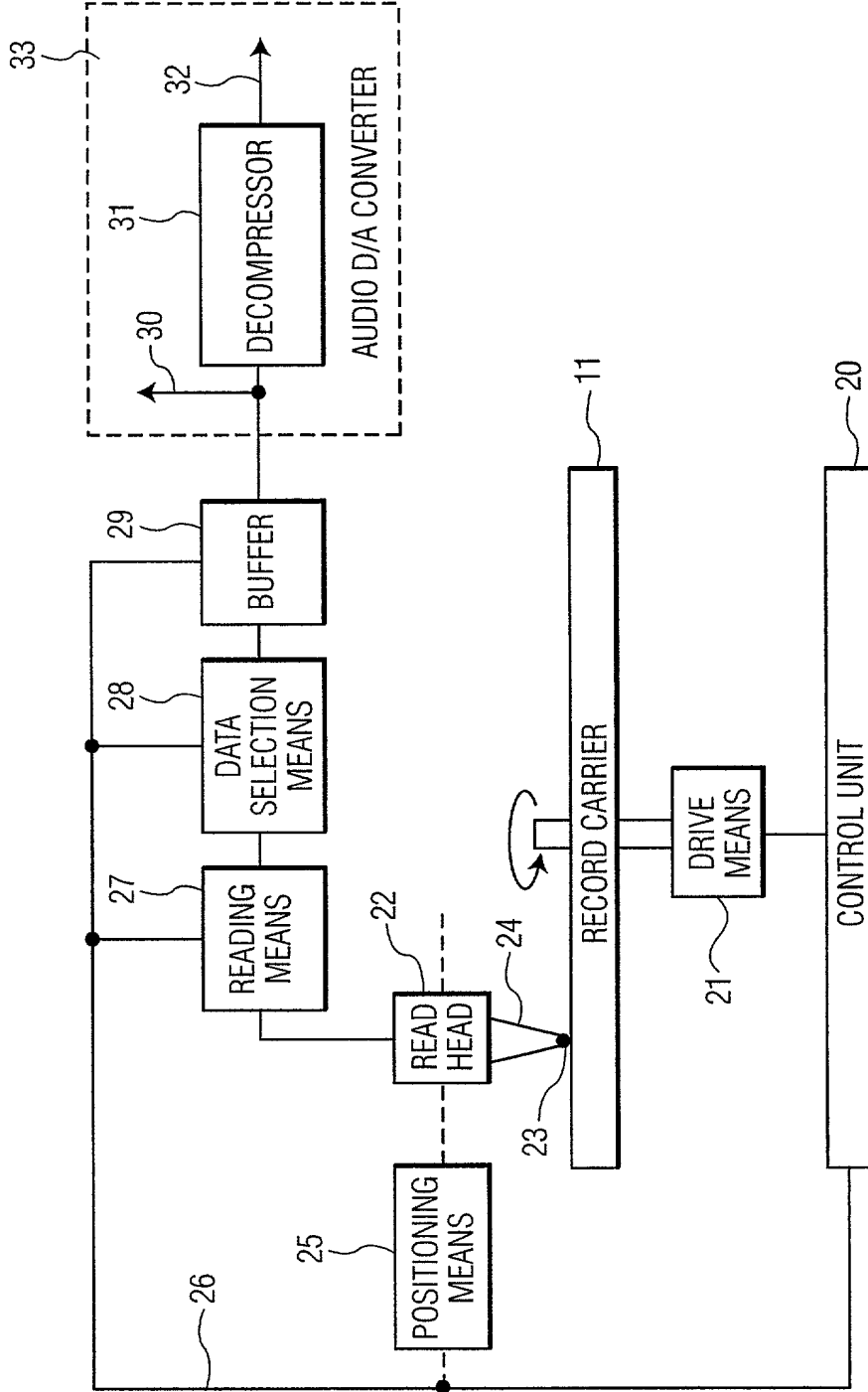


FIG. 2

with any other known means for recording or reproducing data on a record carrier.

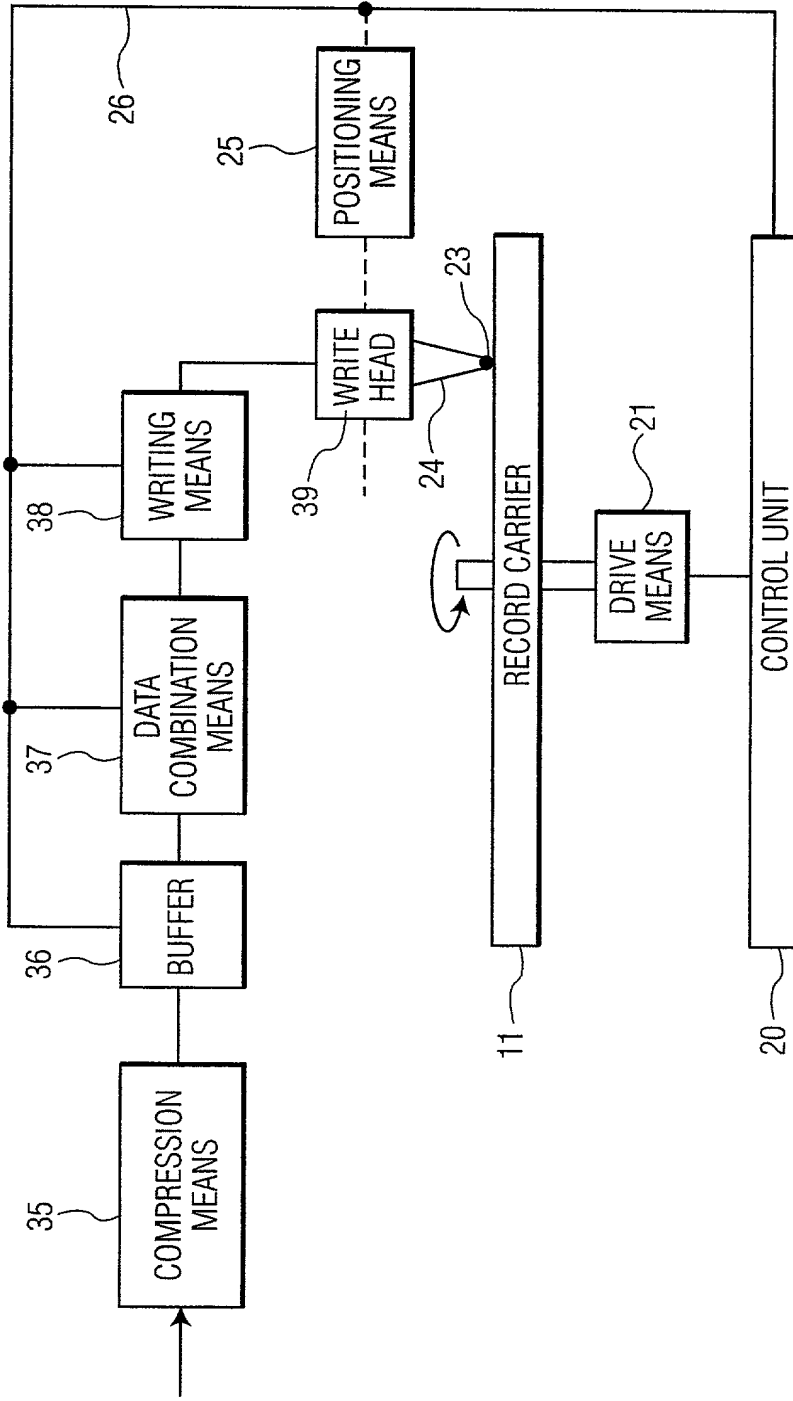


FIG. 3

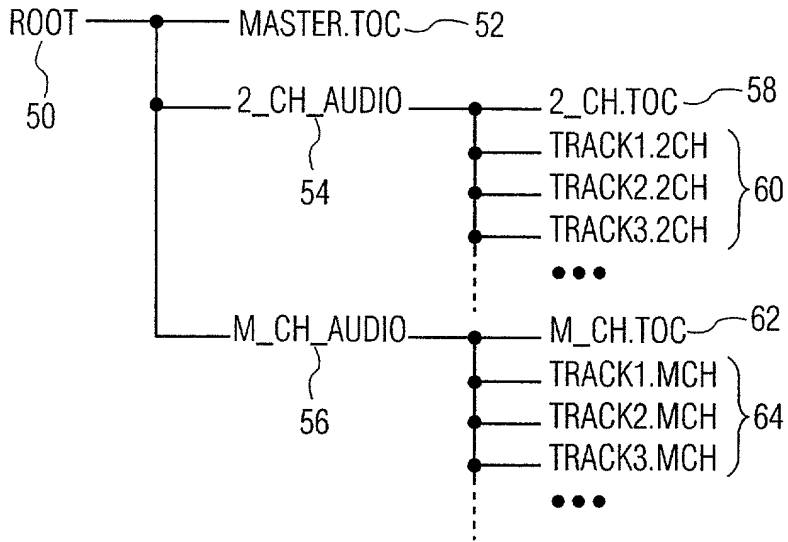


FIG. 4

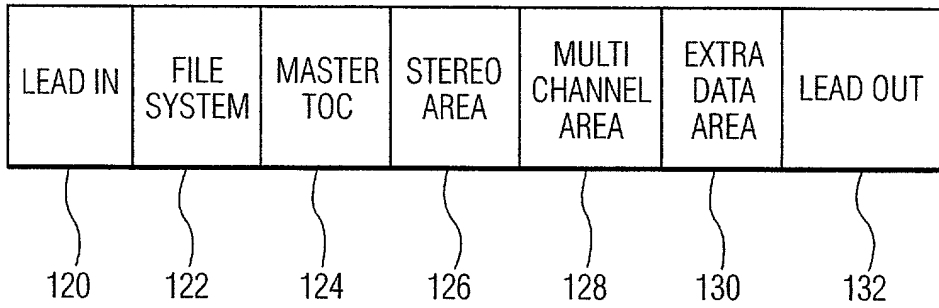


FIG. 5

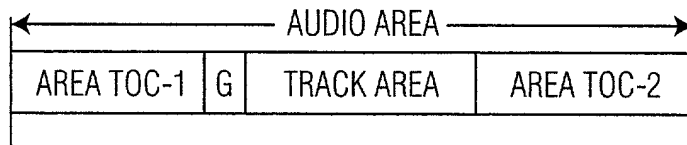


FIG. 6